



AUTOMATED CONTRAST AND LIGHT INTENSITY SETTING

The microscope can automatically detect the contrast method and objective that are currently in use. Manual diaphragm settings are a thing of the past; optimal values for aperture, field diaphragm, and light intensity are set automatically.

DIGITAL MICROSCOPE

The motorized incident light axis provides automatic contrast adjustment. DIC can be added for future work. Specific illumination and diaphragm settings are easily to configure at the touch of a button. The LED provides a constant color temperature at all contrasting methods and intensity levels.

DM 4000 M LED

The DM 4000 M LED comes up with a new LED illumination for all contrast methods and many other convenient features.

Routine functions such as adapting brightness and illumination dazzle to objective enlargement and preparation conditions are automated and thereby offer optimum working comfort.

DMI 5000 M

The DMI 5000 M is an inverse system microscope with fully automated lens change. The Parfocality Manager guarantees a sharp image at all times. With its new reflected-light axis the DMI 5000 M enables a flexible work in bright and dark field with DIC or with qualitative polarization.

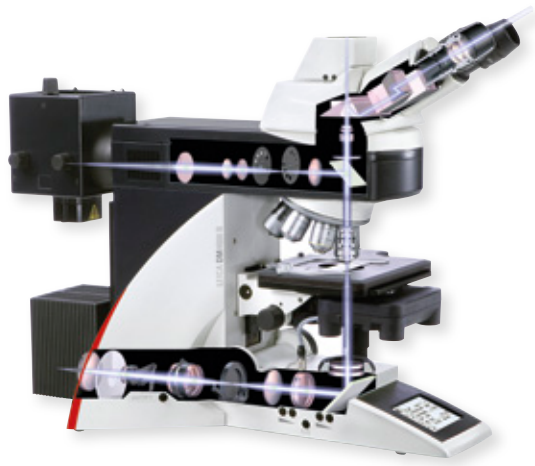
APPLICATION

The Leica DM 4000 M LED and DMI 5000 M are modern system microscopes.

They find a multitude of use in materials research and science:

- » bright field
- » dark field
- » polarisation contrast
- » interference contrast (ICR)
- » fluorescence





BASIC MODULE

DM 4000 M LED



» magnification: 50x - 1000x

Order No.: 95008511

» upright brightfield microscope

Order No.: 95009495

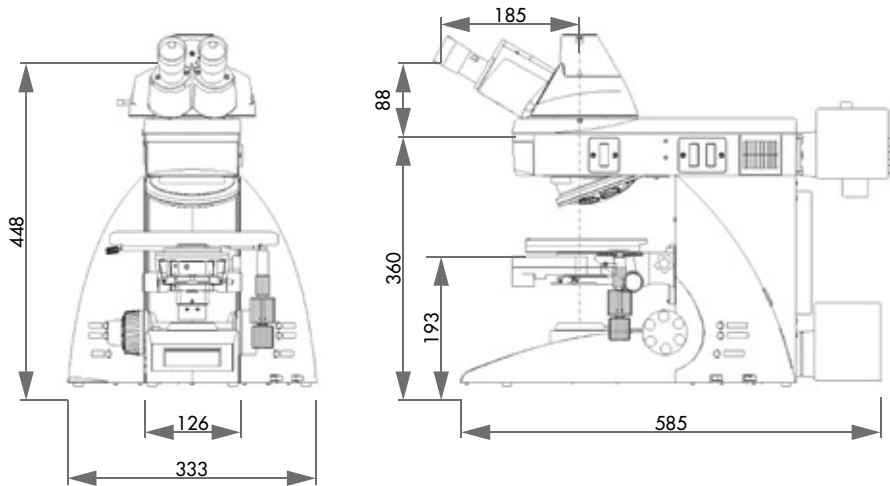
» upright light/darkfield microscope

SPECIFICATIONS

Lamp house	LED
Tube 25+	V100/50/0

Objective NPlan	5x /0.12
	10x /0.25
	20x /0.40
	50x /0.75
100x/0.90	

2x eyepieces HC Plan s	10x /25 Br.M
---------------------------	--------------



ACCESSORIES

SPECIMEN PRESS



Order No.: M1321000

WxHxD approx. 90x205x130 mm



BASIC MODULE

DMI 5000 M



» magnification: 50x, 100x, 200x, 500x, 1000x

» inverted brightfield microscope

Order No.: 92008383

SPECIFICATIONS

Lamp house	12 V, 100 W
Ergo tube	Binoculare

Objective NPlan	5x /0.12
	10x /0.25
	20x /0.40
	50x /0.75
100x/0.90	

2x eyepieces HC Plan s	10x /25 Br.M
---------------------------	--------------

